



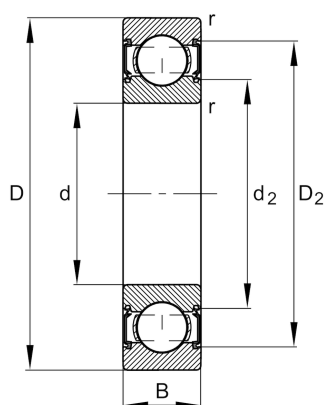
FAG

6004-C-2HRS

Deep groove ball bearing

Schaeffler ID:
0949816800000Deep groove ball bearing 60..-C-2HRS,
single row, Generation C, seals, steel
sheet metal cage

Technical information

**Dimensions**

r_{\min}	0.6 mm	Minimum chamfer dimension
D_2	37.4 mm	Caliber diameter outer ring
d_2	25.2 mm	Caliber diameter inner ring
	0.065 kg	Weight

Main Dimensions & Performance Data

d	20 mm	Bore diameter
D	42 mm	Outside diameter
B	12 mm	Width
C_r	10,600 N	Basic dynamic load rating, radial
C_{0r}	5,000 N	Basic static load rating, radial
C_{ur}	340 N	Fatigue load limit, radial
n_G	15,300 1/min	Limiting speed

Mounting dimensions

$d_{a\min}$	23.2 mm	Minimum diameter shaft shoulder
$D_{a\max}$	38.8 mm	Maximum diameter of housing shoulder
$r_{a\max}$	0.6 mm	Maximum fillet radius

Calculation factors

f_0	13.8	Calculation factor
-------	------	--------------------

Temperature range

T_{\min}	-20 °C	Operating temperature min.
T_{\max}	110 °C	Operating temperature max.

